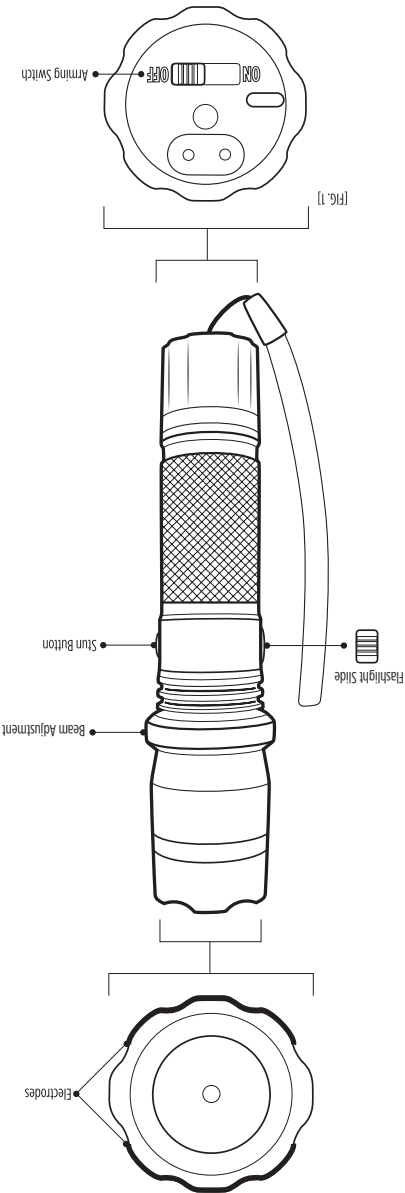


Manufactured for Mace Security International, Inc.  
 4400 Carnegie Avenue, Cleveland, OH 44103 USA  
 877-585-6223 (MACE)  
 www.mace.com  
 Mace® is a brand trademark  
 of Mace Security International, Inc.  
 Product made in China

#105106-0816



Mace® Brand 4,500,000 volt flashlight and stun gun is made of a high quality aluminum alloy body. On/Off safety switch, flashlight button and stun button.



HIGH-OUTPUT  
LED FLASHLIGHT

STUN GUN

- **4,500,000 Volt** Stun Gun
- **On/Off Safety** Switch
- **High Quality** Aluminum Alloy
- **Zoom In / Zoom Out** Bright LED Flashlight

STUN GUN

TRUST THE BRAND

## Stun Gun Model 80419 (Black)

Congratulations on your purchase of the Mace® Brand Stun Gun. This device provides the convenience of a high-output, multi-mode variable focus LED flashlight and strobe and the stopping power of 4,500,000 volts of electric shock. Prior to carrying or using this device, you must read and understand this entire manual. Warning: Keep this device out of the reach of children and irresponsible adults.



### ! WARNING!



**Electronic Control Device**

- Can temporarily incapacitate assailant.
- Can cause serious injury.
- Keep out of reach of children.
- Keep away from flammable materials.
- Comply with all warnings and instructions in this manual.
- Comply with all laws regarding possession and use.

Your best protection is to avoid potentially dangerous situations if you can. Always be aware of your environment and the people around you. Be especially alert after dark. Do everything you can to escape from an assailant before resorting to the use of your Mace® Brand Stun Gun.

- ! WARNING:**
- This device is not water-resistant. Keep away from water, rain, etc. If any liquid or foreign object has entered the device, do not use the device.
  - Do not touch the internal parts. These are circuits that may cause severe electric shock.
  - Do not open, disassemble or modify this device, as it may cause damage to the device.
  - Keep away from flammable materials.
  - Never store near hot objects, in direct sunlight or at a temperature above 120°F.
  - Keep out of reach of children.
  - Use only in a lawful manner. Check federal, state and local laws for stun gun possession and use restrictions.
  - Do not discharge the unit into the air for more than 1 second at a time. Continuous firing for a longer duration can damage unit and will void the warranty.
  - Do not shock metal or other conductive materials.
  - This device may only be sold to a person 18 years or older.
  - This device may be used only in accordance with this manual and for lawful self-defense or defense of others to temporarily incapacitate a person; however, be aware that such use of force for purposes of legal self-defense or other personal defense, as with any use of force for defense purposes, carries with it the likelihood that someone will get seriously hurt, or even killed, due to physical exertion, unforeseen occurrences and individual vulnerabilities. You accept and understand these risks when using this device.
  - Some effects of the use of the stun gun on the assailant are: loss of balance and muscle control; confusion and disorientation; falling to the ground without the ability to catch him/herself; involuntary muscle contractions to varying degrees; and possible drowning if assailant is near water, as his/her ability to move will be restricted.

**CHARGING**

Prior to the initial use, this device must be charged for 5 hours. Ensure that the "ON/OFF" switch on the base of the unit is set to off and plug the connector into the stun gun and the opposite end into a standard 110v wall outlet. The LED located near the connector will glow bright red to indicate that the battery is charging. The power cord is relatively short so the stun gun should be supported on a shelf while charging. Do not allow the stun gun to hang from the cord as this may damage the power cord or the stun gun. After any use or long periods of inactivity, it is recommended that the stun gun be recharged for 2 hours.

**HOW TO USE**

When you sense that you are in a potentially dangerous situation, have your stun gun in hand and ready to use. Place your hand through the carrying strap and position the strap on your wrist. The three flashlight modes--bright, dim and strobe--may be selected by toggling the flashlight slide switch ON and OFF until the desired light pattern is achieved. The flashlight beam may be adjusted from a tight focus to a wide area flood by rotating the adjustment control. Use the LED feature to momentarily distract the assailant. To arm the stun gun, slide the flashlight slide switch in the full down position, OFF, and slide the arming switch located on the base of the unit from the OFF position to the ON position. [Fig. 1]

Many times, the visual and auditory effects of operating the stun gun by themselves are an effective deterrent. The impressive electrical arc and the loud snapping sound will often make the would-be assailant think twice about attacking. Depressing the stun button with your finger as a warning might be all you need to keep the would-be assailant from approaching. If the situation escalates to where you feel it necessary to deploy the electrical charge of the stun gun on an assailant, hold the electrodes against the body of the assailant and depress the stun button with your finger. The most effective stun locations are the shoulder, hip, thigh, buttocks and below the rib cage.

**TESTING**

To test the stun gun feature, slide the arming switch from the OFF position to the ON position, and press and release the stun button for one second or less. A bright arc will randomly jump across the two electrodes and a loud snapping noise will sound. The random arc between the left and/or right electrodes is normal and does not indicate a malfunction with the stun gun. Once you have completed the testing operation, slide the arming switch back to the OFF position. Do not test the device for an extended period of time as this may damage the device and will drain the battery.

**LEGAL REQUIREMENTS**

Possession and/or use of a stun gun may be regulated or prohibited in some jurisdictions. It is your responsibility to investigate and know the law in your jurisdiction. Under current FAA regulations, this device is permitted in checked baggage only. Do not carry this device on your person or stow in your carry-on baggage. For additional information, please visit [www.tsa.gov](http://www.tsa.gov).

**SAFETY AND STORAGE**

In light of the potential for serious injury, it is important to keep this device out of the reach of children and irresponsible adults. Do not store this device in an environment where the temperature may exceed 120°F. Do not store this device in a damp environment.

**LIMITED WARRANTY**

MACE SECURITY INTERNATIONAL, INC. ("MACE BRAND") WARRANTS THIS PRODUCT TO BE FREE FROM DEFECTS IN WORKMANSHIP AND MATERIALS UNDER NORMAL AND PROPER USE AS DESCRIBED IN THIS MANUAL FOR A PERIOD OF 180 DAYS FROM THE DATE OF PURCHASE. THE WARRANTY IS LIMITED TO PRODUCT REPAIR OR REPLACEMENT UPON RETURN OF DEFECTIVE PRODUCT WITH PROOF-OF-PURCHASE RECEIPT WITHIN 180 DAYS.

MACE BRAND MAKES NO OTHER EXPRESS WARRANTY OR CONDITION WHETHER WRITTEN OR ORAL AND, TO THE EXTENT PERMITTED BY LAW, MACE BRAND EXPRESSLY DISCLAIMS ALL WARRANTIES AND CONDITIONS OF ANY KIND NOT STATED IN THIS MACE BRAND LIMITED WARRANTY, TO THE EXTENT ALLOWED BY THE LOCAL LAW OF JURISDICTIONS OUTSIDE THE UNITED STATES, MACE BRAND DISCLAIMS ALL IMPLIED WARRANTIES OR CONDITIONS, INCLUDING ANY IMPLIED WARRANTIES OF MERCHANTABILITY AND FITNESS FOR A PARTICULAR PURPOSE, FOR ALL TRANSACTIONS OCCURRING IN THE UNITED STATES. ANY IMPLIED WARRANTY OR CONDITION OF MERCHANTABILITY, QUALITY, OR FITNESS FOR A PARTICULAR PURPOSE, IF IMPOSED BY LAW, IS LIMITED TO THE DURATION OF THE EXPRESS WARRANTY OR CONDITION LASTS OR THE EXCLUSION OR LIMITATION DO NOT ALLOW A LIMITATION ON HOW LONG AN IMPLIED WARRANTY OR CONDITION LASTS OR THE EXCLUSION OR LIMITATION OF PARTICULAR TYPES OF DAMAGE, INCLUDING INCIDENTAL OR CONSEQUENTIAL DAMAGES FOR CONSUMER PRODUCTS, IN SUCH STATES OR COUNTRIES, SOME EXCLUSIONS, DISCLAIMERS OR LIMITATIONS OF THIS MACE BRAND LIMITED WARRANTY MAY NOT APPLY TO YOU. TO THE EXTENT THAT THIS MACE BRAND LIMITED WARRANTY OR ANY PART OF IT IS INCONSISTENT WITH LOCAL LAW, THIS MACE BRAND LIMITED WARRANTY OR THE CORRESPONDING PART SHALL BE DEEMED MODIFIED TO BE CONSISTENT WITH SUCH LOCAL LAW. MACE ASSUMES NO RISK NOR IS MACE SUBJECT TO ANY LIABILITY FOR DAMAGE, LOSS OR INJURY RESULTING FROM THE SALE, USE OR APPLICATION OF THIS PRODUCT.